

Specifications

Width and height: specified by customer.

Standard units are rectangular. Different shapes are available on request.

Installation depth is 145 mm.

Material: full plastic.

Combination of polyethylene and polypropylene. Standard color is black and hardly noticeable behind the grill of an air intake.

Options:

-Flanges: positions and sizes specified by customer.

Standard all sides front or back 50 mm.

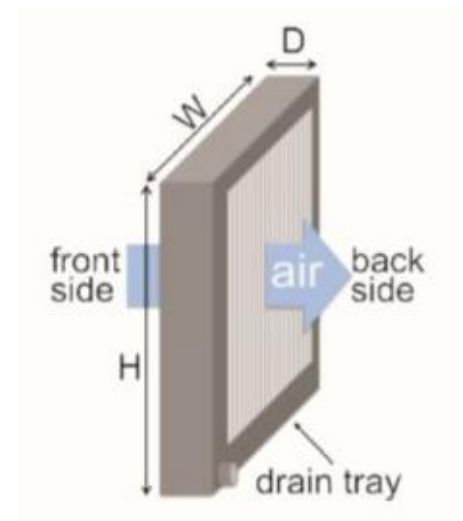
-Drains: any position in drain-tray (front, back, sides and bottom) is possible. Most standard connection types such as bushings, nipples and tubes.

Performance:

-Operating air speed 1 – 6 m/sec.

-Max. water load, depending on conditions such as airspeed, 250 grams water per kg air.

-Droplet separation efficiency, size of smallest droplets that can be separated $\pm 13 \mu\text{m}$ depending on operating air speed.



All products are supplied with CAD drawings and a manual for installation and maintenance.

